

Baoli

Baoli Data sheet



Index



Diesel and LPG trucks

pag. 3

KB 15+	KB 18+	KB 20+	KB 25+	KB 30+	KB 35+	pag. 5
KBG 15+	KBG 18+	KBG 20+	KBG 25+	KBG 30+	KBG 35+	pag. 7
KB 15	KB 18	KB 20	KB 25	KB 30	KB 35	pag. 9
KB 40	KB 50S					pag. 11
KBG 40	KBG 50					pag. 13



Electric trucks

pag. 17

KBET 15	KBET 18	KBET 20	KBE 15	KBE 18	pag. 19
KBE 20	KBE 25	KBE 30	KBE 35		



Pallet trucks

pag. 25

EP 15-C	EP 15 City Mover	EP 16-N01	EP 20-N04	EP 25-N02	pag. 26
EP 20-T	EP 25-N01				



Stackers

pag. 29

ES 10-N01	ES 12-N03	ES 16-N02	ES 12-N02	ES 15-N01	ES 15-N02	pag. 30
-----------	-----------	-----------	-----------	-----------	-----------	---------

Diesel and LPG trucks



KB 15 - 35+



KBG 15 - 35+



KB 15 - 35



KB 40 - 50



KBG 40 - 50

Diesel and LPG trucks

1.1	Manufacturer		KION BAOLI
1.2	Manufacturer's type designation		KB 15+
1.3	Drive: electric, diesel, petrol, fuel gas		Diesel
1.4	Operator type: hand, pedestrian, standing, seated, order-picker		Seated
1.5	Rated capacity / Rated load	Q (t)	1,5
1.6	Load centre distance	c (mm)	500
1.8	Load distance, centre of drive axle to fork	x (mm)	435
1.9	Wheelbase	y (mm)	1500
2.1	Service weight	Kg	3040
2.2	Axle loading, laden front/rear	Kg	3840/700
2.3	Axle loading, unladen front/rear	Kg	1380/1660
3.1	Tyres: solid rubber, superelastic, pneumatic, polyurethane		PN
3.2	Tyre size, front		6,50-10-14PR
3.3	Tyre size, rear		5,00-8-10PR
3.6	Tread, front	b10 (mm)	940
3.7	Tread, rear	b11 (mm)	920
4.1	Tilt of mast/fork carriage forward/backward	α/β (°)	6/12
4.2	Height, mast lowered	h1 (mm)	2002
4.3	Free lift	h2 (mm)	128
4.4	Lift	h3 (mm)	3000
4.5	Height, mast extended	h4 (mm)	4040
4.7	Height of overhead guard (cabin)	h6 (mm)	2065
4.8	Seat height/stand height	h7 (mm)	1010
4.12	Coupling height	h10 (mm)	220
4.19	Overall length	l1 (mm)	3282
4.20	Length to face of forks	l2 (mm)	2362
4.21	Overall width	b1/b2 (mm)	1140
4.22	Fork dimensions ISO 2331	s/e/l (mm)	35/120/920
4.23	Fork carriage ISO 2328, class/type A, B		A
4.24	Fork carriage width	b3 (mm)	1040
4.31	Ground clearance, laden, below mast	m1 (mm)	110
4.32	Ground clearance, centre of wheelbase	m2 (mm)	105
4.34.1	Aisle width for pallets 1000 x 1200 crossways	Ast (mm)	3795
4.34.2	Aisle width for pallets 800 x 1200 crossways	Ast (mm)	3995
4.35	Turning radius	Wa (mm)	2160
4.36	Internal turning radius	b13 (mm)	601,5
5.1	Travel speed, laden/unladen	km/h	16/16
5.2	Lift speed, laden/unladen	m/s	0,505/0,640
5.3	Lowering speed, laden/unladen	m/s	0,375/0,395
5.5	Drawbar pull, laden/unladen	N	11,5/10,7
5.7	Gradeability, laden/unladen	%	20
5.10	Service brake		Mech/Hydr
7.1	Engine manufacturer/type		ISUZU C240
7.2	Engine power according to ISO 1585	kW	34,3
7.3	Rated speed	min-1	2500
7.4	Number of cylinders/displacement	cm3	4/2369
7.9	Vehicle electrical system voltage	V	12
8.1	Type of drive unit		Hydrodynamic
10.4	Fuel tank, capacity	l	45/37
10.8	Towing coupling, type DIN		Pin

KB 15+ KB 18+ KB 20+ KB 25+ KB 30+ KB 35+

KION BAOLI	KION BAOLI	KION BAOLI	KION BAOLI	KION BAOLI
KB 18+	KB 20+	KB 25+	KB 30+	KB 35+
Diesel	Diesel	Diesel	Diesel	Diesel
Seated	Seated	Seated	Seated	Seated
1,8	2,0	2,5	3,0	3500
500	500	500	500	500
435	435	484	484	484
1500	1500	1700	1700	1700
3210	3280	3950	4400	4880
4330/680	4540/700	6340/610	6610/580	7300/1100
1340/1870	1320/1960	1880/2250	1820/2640	1640/3240
PN	PN	PN	PN	PN
6,50-10-14PR	6,50-10-14PR	28×9-15-14PR	28×9-15-14PR	28×9-15-14PR
5,00-8-10PR	5,00-8-10PR	6,50-10-10PR	6,50-10-10PR	6,50-10-10PR
940	940	1000	1000	1000
920	920	970	970	970
6/12	6/12	6/12	6/12	6/12
2002	2002	2080	2080	2230
128	128	140	145	145
3000	3000	3000	3000	3000
4040	4040	4050	4273	4273
2065	2065	2108	2108	2108
1010	1010	1085	1070	1085
220	220	300	300	300
3316	3490	3730	3780	3880
2396	2420	2660	2710	2810
1140	1140	1225	1225	1296
35/120/920	40/122/1070	40/122/1070	45/125/1070	50/125/1070
A	A	A	A	A
1040	1040	1040	1100	1100
110	110	135	135	135
105	105	140	140	140
3815	3835	4124	4144	4224
4015	4035	4324	4344	4424
2180	2200	2440	2460	2540
601,5	601,5	810	810	810
15/16	15/15	15/16,2	16,5/17	16/17
0,445/0,650	0,385/0,645	0,495/0,655	0,520/0,595	0,560/0,585
0,405/0,415	0,465/0,450	0,485/0,370	0,475/0,390	0,490/0,395
11,5/10,7	11,5/10,7	15/10	15/10	16/10
20	20	20	20	15
Mech/Hydr	Mech/Hydr	Mech/Hydr	Mech/Hydr	Mech/Hydr
ISUZU C240	ISUZU C240	Mitsubishi S4S	Mitsubishi S4S	Mitsubishi S4S
34,3	34,3	35,3	35,3	35,3
2500	2500	2250	2250	2250
4/2369	4/2369	4/3331	4/3331	4/3331
12	12	12	12	12
Hydrodynamic	Hydrodynamic	Hydrodynamic	Hydrodynamic	Hydrodynamic
45/37	45/37	52/45	52/45	52/45
Pin	Pin	Pin	Pin	Pin

Diesel and LPG trucks

1.1	Manufacturer		KION BAOLI
1.2	Manufacturer's type designation		KBG 15+
1.3	Drive: electric, diesel, petrol, fuel gas		LPG/Petrol
1.4	Operator type: hand, pedestrian, standing, seated, order-picker		Seated
1.5	Rated capacity / Rated load	Q (t)	1,5
1.6	Load centre distance	c (mm)	500
1.8	Load distance, centre of drive axle to fork	x (mm)	435
1.9	Wheelbase	y (mm)	1500
2.1	Service weight	Kg	2960
2.2	Axle loading, laden front/rear	Kg	3800/660
2.3	Axle loading, unladen front/rear	Kg	1340/1620
3.1	Tyres: solid rubber, superelastic, pneumatic, polyurethane		PN
3.2	Tyre size, front		6,50-10-14PR
3.3	Tyre size, rear		5,00-8-10PR
3.6	Tread, front	b10 (mm)	940
3.7	Tread, rear	b11 (mm)	920
4.1	Tilt of mast/fork carriage forward/backward	α/β (°)	6/12
4.2	Height, mast lowered	h1 (mm)	2002
4.3	Free lift	h2 (mm)	128
4.4	Lift	h3 (mm)	3000
4.5	Height, mast extended	h4 (mm)	4040
4.7	Height of overhead guard (cabin)	h6 (mm)	2065
4.8	Seat height/stand height	h7 (mm)	1010
4.12	Coupling height	h10 (mm)	220
4.19	Overall length	l1 (mm)	3282
4.20	Length to face of forks	l2 (mm)	2362
4.21	Overall width	b1/b2 (mm)	1140
4.22	Fork dimensions ISO 2331	s/e/l (mm)	35/120/920
4.23	Fork carriage ISO 2328, class/type A, B		A
4.24	Fork carriage width	b3 (mm)	1040
4.31	Ground clearance, laden, below mast	m1 (mm)	110
4.32	Ground clearance, centre of wheelbase	m2 (mm)	105
4.34.1	Aisle width for pallets 1000 x 1200 crossways	Ast (mm)	3795
4.34.2	Aisle width for pallets 800 x 1200 crossways	Ast (mm)	3995
4.35	Turning radius	Wa (mm)	2160
5.1	Travel speed, laden/unladen	km/h	16,1/16,1
5.2	Lift speed, laden/unladen	m/s	0,460/0,695
5.3	Lowering speed, laden/unladen	m/s	0,380/0,420
5.5	Drawbar pull, laden/unladen	N	20/10
5.7	Gradeability, laden/unladen	%	20
5.10	Service brake		Mech/Hydr
7.1	Engine manufacturer/type		GCT K21
7.2	Engine power according to ISO 1585	kW	32,3
7.3	Rated speed	min-1	2400
7.4	Number of cylinders/displacement	cm3	4/2095
7.5	Fuel consumption at turnover output	l/h or kg/h	4,1 l/h
7.9	Vehicle electrical system voltage	V	12
8.1	Type of drive unit		Hydrodynamic
10.4	Fuel tank, capacity	l	45/37
10.8	Towing coupling, type DIN		Pin

KBG 15+ KBG 18+ KBG 20+ KBG 25+ KBG 30+ KBG 35+

KION BAOLI	KION BAOLI	KION BAOLI	KION BAOLI	KION BAOLI
KBG 18+	KBG 20+	KBG 25+	KBG 30+	KBG 35+
LPG/Petrol	LPG/Petrol	LPG/Petrol	LPG/Petrol	LPG/Petrol
Seated	Seated	Seated	Seated	Seated
1,8	2,0	2,5	3,0	3,5
500	500	500	500	500
435	435	484	484	484
1500	1500	1700	1700	1700
3100	3160	4080	4220	4680
4200/680	4440/660	6280/480	6340/840	7180/1000
1280/1820	1280/1880	1880/2200	1680/2540	1550/3130
PN	PN	PN	PN	PN
6,50-10-14PR	6,50-10-14PR	28×9-15-14PR	28×9-15-14PR	28×9-15-14PR
5,00-8-10PR	5,00-8-10PR	6,50-10-10PR	6,50-10-10PR	6,50-10-10PR
940	940	1000	1000	1000
920	920	970	970	970
6/12	6/12	6/12	6/12	6/12
2002	2002	2080	2080	2230
128	128	140	145	145
3000	3000	3000	3000	3000
4040	4040	4050	4273	4273
2065	2065	2108	2108	2108
1010	1010	1085	1085	1085
220	220	300	300	300
3316	3490	3730	3780	3880
2396	2420	2660	2710	2810
1140	1140	1225	1225	1296
35/120/920	40/122/1070	40/122/1070	45/125/1070	50/125/1070
A	A	A	A	A
1040	1040	1040	1100	1100
110	110	135	135	135
105	105	140	140	140
3815	3835	4124	4144	4224
4015	4035	4324	4344	4424
2180	2200	2440	2460	2540
15,7/16,5	15,7/16,5	17/18,2	18,5/19	18/19
0,455/0,740	0,655/0,690	0,315/0,455	0,370/0,455	0,335/0,475
0,400/0,405	0,520/0,530	0,470/0,425	0,465/0,380	0,460/0,380
19,5/9	20/14	17/13	15/10	16/10
20	20	20	20	20
Mech/Hydr	Mech/Hydr	Mech/Hydr	Mech/Hydr	Mech/Hydr
GCT K21	GCT K21	GCT K25	GCT K25	GCT K25
32,3	32,3	37,4	37,4	37,4
2400	2400	2400	2400	2400
4/2095	4/2095	4/2488	4/2488	4/2488
4,21 l/h	4,32 l/h	3,6 l/h	3,8 l/h	4 l/h
12	12	12	12	12
Hydrodynamic	Hydrodynamic	Hydrodynamic	Hydrodynamic	Hydrodynamic
45/37	45/37	45/37	45/37	45/37
Pin	Pin	Pin	Pin	Pin

Diesel and LPG trucks

1.1	Manufacturer		KION BAOLI	KION BAOLI
1.2	Manufacturer's type designation		KB 15	KB 18
1.3	Drive: electric, diesel, petrol, fuel gas		Diesel	Diesel
1.4	Operator type: hand, pedestrian, standing, seated, order-picker		Seated	Seated
1.5	Rated capacity / Rated load	Q (t)	1,5	1,8
1.6	Load centre distance	c (mm)	500	500
1.8	Load distance, centre of drive axle to fork	x (mm)	435	435
1.9	Wheelbase	y (mm)	1500	1500
2.1	Service weight	Kg	3000	3160
2.2	Axle loading, laden front/rear	Kg	3820/680	4220/720
2.3	Axle loading, unladen front/rear	Kg	1360/1640	1300/1860
3.1	Tyres: solid rubber, superelastic, pneumatic, polyurethane		PN	PN
3.2	Tyre size, front		6,50-10-14PR	6,50-10-14PR
3.3	Tyre size, rear		5,00-8-10PR	5,00-8-10PR
3.6	Tread, front	b10 (mm)	940	940
3.7	Tread, rear	b11 (mm)	920	920
4.1	Tilt of mast/fork carriage forward/backward	α/β (°)	6/12	6/12
4.2	Height, mast lowered	h1 (mm)	2002	2002
4.3	Free lift	h2 (mm)	128	128
4.4	Lift	h3 (mm)	3000	3000
4.5	Height, mast extended	h4 (mm)	4040	4040
4.7	Height of overhead guard (cabin)	h6 (mm)	2065	2065
4.8	Seat height/stand height	h7 (mm)	1010	1010
4.12	Coupling height	h10 (mm)	220	220
4.19	Overall length	l1 (mm)	3282	3316
4.20	Length to face of forks	l2 (mm)	2362	2396
4.21	Overall width	b1/b2 (mm)	1140	1140
4.22	Fork dimensions ISO 2331	s/e/l (mm)	35/120/920	35/120/920
4.23	Fork carriage ISO 2328, class/type A, B		A	A
4.24	Fork carriage width	b3 (mm)	1040	1040
4.31	Ground clearance, laden, below mast	m1 (mm)	110	110
4.32	Ground clearance, centre of wheelbase	m2 (mm)	105	105
4.34.1	Aisle width for pallets 1000 x 1200 crossways	Ast (mm)	3795	3815
4.34.2	Aisle width for pallets 800 x 1200 crossways	Ast (mm)	3995	4015
4.35	Turning radius	Wa (mm)	2160	2180
4.36	Internal turning radius	b13 (mm)	-	-
5.1	Travel speed, laden/unladen	km/h	13,9/14,4	13,5/14,4
5.2	Lift speed, laden/unladen	m/s	0,380/0,405	0,370/0,415
5.3	Lowering speed, laden/unladen	m/s	0,465/0,505	0,445/0,510
5.5	Drawbar pull, laden/unladen	N	14,5/8,7	14,2/8,2
5.7	Gradeability, laden/unladen	%	20	20
5.10	Service brake		Mech/Hydr	Mech/Hydr
7.1	Engine manufacturer/type		XINCHANG 4N23G31	XINCHANG 4N23G31 X
7.2	Engine power according to ISO 1585	kW	30	30
7.3	Rated speed	min-1	2600	2600
7.4	Number of cylinders/displacement	cm3	4/2300	4/2300
7.9	Vehicle electrical system voltage	V	12	12
8.1	Type of drive unit		Mechanical	Mechanical
10.4	Fuel tank, capacity	l	45/37	45/37
10.8	Towing coupling, type DIN		Pin	Pin

KB 15 KB 18 KB 20 KB 25 KB 30 KB 35

KION BAOLI	KION BAOLI	KION BAOLI	KION BAOLI	KION BAOLI	KION BAOLI	KION BAOLI
KB 20	KB 25	KB 25	KB 30	KB 30	KB 35	KB 35
Diesel	Diesel	Diesel	Diesel	Diesel	Diesel	Diesel
Seated	Seated	Seated	Seated	Seated	Seated	Seated
2,0	2,5	2,5	3,0	3,0	3,5	3,5
500	500	500	500	500	500	500
435	484	484	484	484	484	484
1500	1700	1700	1700	1700	1700	1700
3220	3960	3950	4320	4400	4700	4880
4520/660	5980/680	6340/610	6400/860	6610/580	7080/1140	7300/1100
1300/1920	1680/2280	1880/2250	1700/2600	1820/2640	1480/3240	1640/3240
PN	PN	PN	PN	PN	PN	PN
6,50-10-14PR	28×9-15-14PR	28×9-15-14PR	28×9-15-14PR	28×9-15-14PR	28×9-15-14PR	28×9-15-14PR
5,00-8-10PR	6,50-10-10PR	6,50-10-10PR	6,50-10-10PR	6,50-10-10PR	6,50-10-10PR	6,50-10-10PR
940	1000	1000	1000	1000	1000	1000
920	970	970	970	970	970	970
6/12	6/12	6/12	6/12	6/12	6/12	6/12
2002	2080	2080	2080	2080	2230	2230
128	140	140	145	145	145	145
3000	3000	3000	3000	3000	3000	3000
4040	4050	4050	4273	4273	4273	4273
2065	2108	2108	2090	2108	2108	2108
1010	1085	1085	1070	1070	1085	1085
220	300	300	300	300	300	300
3490	3730	3730	3780	3780	3880	3880
2420	2660	2660	2710	2710	2810	2810
1140	1225	1225	1225	1225	1296	1296
40/122/1070	40/122/1070	40/122/1070	45/125/1070	45/125/1070	50/125/1070	50/125/1070
A	A	A	A	A	A	A
1040	1040	1040	1100	1100	1100	1100
110	135	135	135	135	135	135
105	140	140	140	140	140	140
3835	4124	4124	4144	4144	4224	4224
4035	4324	4324	4344	4344	4424	4424
2200	2440	2440	2460	2460	2540	2540
-	810	810	810	810	810	810
13,9/14,4	18,5/20	15/16,2	18,5/20	16,5/17	19/20,5	16/17
0,380/0,385	0,320/0,530	0,495/0,655	0,400/0,430	0,520/0,595	0,450/0,480	0,560/0,585
0,400/0,495	0,475/0,360	0,485/0,370	0,450/0,400	0,475/0,390	0,470/0,430	0,490/0,395
16/8,6	15/10	15/10	15/10	15/10	17/10	16/10
20	20	20	20	20	15	15
Mech/Hydr	Mech/Hydr	Mech/Hydr	Mech/Hydr	Mech/Hydr	Mech/Hydr	Mech/Hydr
31 XINCHANG 4N23G31	XINCHANG A498BT1-13	Mitsubishi S4S	XINCHANG A498BT1-13	Mitsubishi S4S	XINCHANG A498BT1-13	Mitsubishi S4S
30	36,8-40	35,3	36,8-40	35,3	45	35,3
2600	2670	2250	2670	2250	2500	2250
4/2300	4/2670	4/3331	4/2670	4/3331	4/3168	4/3331
12	12	12	12	12	12	12
Mechanical	Mechanical/ Hydraulic torque converter	Hydrodynamic	Mechanical/ Hydraulic torque converter	Hydrodynamic	Mechanical/ Hydraulic torque converter	Hydrodynamic
45/37	52/45	52/45	52/45	52/45	52/45	52/45
Pin	Pin	Pin	Pin	Pin	Pin	Pin

Diesel and LPG trucks

1.1	Manufacturer		KION BAOLI
1.2	Manufacturer's type designation		KB 40
1.3	Drive: electric, diesel, petrol, fuel gas		Diesel
1.4	Operator type: hand, pedestrian, standing, seated, order-picker		Seated
1.5	Rated capacity / Rated load	Q (t)	4,0
1.6	Load centre distance	c (mm)	500
1.8	Load distance, centre of drive axle to fork	x (mm)	562
1.9	Wheelbase	y (mm)	2000
2.1	Service weight	Kg	6380
2.2	Axle loading, laden front/rear	Kg	9270/1250
2.3	Axle loading, unladen front/rear	Kg	3020/3360
3.1	Tyres: solid rubber, superelastic, pneumatic, polyurethane		PN
3.2	Tyre size, front		300-15-20PR
3.3	Tyre size, rear		7,00-12-12PR
3.6	Tread, front	b10 (mm)	1180
3.7	Tread, rear	b11 (mm)	1190
4.1	Tilt of mast/fork carriage forward/backward	α/β (°)	6/12
4.2	Height, mast lowered	h1 (mm)	2390
4.3	Free lift	h2 (mm)	150
4.4	Lift	h3 (mm)	3000
4.5	Height, mast extended	h4 (mm)	4275
4.7	Height of overhead guard (cabin)	h6 (mm)	2260
4.8	Seat height/stand height	h7 (mm)	1280
4.12	Coupling height	h10 (mm)	380
4.19	Overall length	l1 (mm)	4180
4.20	Length to face of forks	l2 (mm)	3110
4.21	Overall width	b1/b2 (mm)	1485
4.22	Fork dimensions ISO 2331	s/e/l (mm)	50/140/1070
4.23	Fork carriage ISO 2328, class/type A, B		A
4.24	Fork carriage width	b3 (mm)	1380
4.31	Ground clearance, laden, below mast	m1 (mm)	145
4.32	Ground clearance, centre of wheelbase	m2 (mm)	180
4.34.1	Aisle width for pallets 1000 x 1200 crossways	Ast (mm)	4627
4.34.2	Aisle width for pallets 800 x 1200 crossways	Ast (mm)	4627
4.35	Turning radius	Wa (mm)	2790
4.36	Internal turning radius	b13 (mm)	900
5.1	Travel speed, laden/unladen	km/h	23/25
5.2	Lift speed, laden/unladen	m/s	0,450/0,500
5.3	Lowering speed, laden/unladen	m/s	0,400/0,320
5.5	Drawbar pull, laden/unladen	N	20
5.7	Gradeability, laden/unladen	%	20
5.10	Service brake		Mech/Hydr
7.1	Engine manufacturer/type		CUMMINS QSF2.8
7.2	Engine power according to ISO 1585	kW	55
7.3	Rated speed	min-1	2200
7.4	Number of cylinders/displacement	cm3	4/2800
7.5	Fuel consumption at turnover output	l/h or kg/h	11
7.9	Vehicle electrical system voltage	V	12
8.1	Type of drive unit		Hydrodynamic
10.4	Fuel tank, capacity	l	90/75
10.8	Towing coupling, type DIN		Pin

KB 40 KB 50S

KION BAOLI	KION BAOLI	KION BAOLI
KB 40	KB 50S	KB 50S
Diesel	Diesel	Diesel
Seated	Seated	Seated
4,0	5,0	5,0
500	500	500
562	567	567
2000	2000	2000
6780	6980	7380
9830/1250	10800/1320	11360/1320
3340/3440	2900/4080	3220/4160
PN	PN	PN
300-15-20PR	300-15-20PR	300-15-20PR
7,00-12-12PR	7,00-12-12PR	7,00-12-12PR
1180	1180	1180
1190	1190	1190
6/12	6/12	6/12
2390	2390	2390
150	155	155
3000	3000	3000
4275	4275	4275
2260	2260	2260
1280	1280	1280
380	380	380
4180	4230	4230
3110	3160	3160
1485	1485	1485
50/140/1070	55/150/1070	55/150/1070
A	A	A
1380	1380	1380
145	145	145
180	180	180
4627	4667	4667
4627	4667	4667
2790	2830	2830
900	900	900
25,3/26,2	23/25	25,3/26,2
0,456/0,528	0,450/0,500	0,456/0,528
0,455/0,320	0,400/0,320	0,455/0,320
24	20	24
20	20	20
Mech/Hydr	Mech/Hydr	Mech/Hydr
WEICHAI WP4.1	CUMMINS QSF2.8	WEICHAI WP4.1
62,5	55	62,5
2300	2200	2300
4/4090	4/2800	4/4090
10	13	12
24	12	24
Hydrodynamic	Hydrodynamic	Hydrodynamic
90/75	90/75	90/75
Pin	Pin	Pin

Diesel and LPG trucks

1.1	Manufacturer		
1.2	Manufacturer's type designation		
1.3	Drive: electric, diesel, petrol, fuel gas		
1.4	Operator type: hand, pedestrian, standing, seated, order-picker		
1.5	Rated capacity / Rated load	Q (t)	
1.6	Load centre distance	c (mm)	
1.8	Load distance, centre of drive axle to fork	x (mm)	
1.9	Wheelbase	y (mm)	
2.1	Service weight	Kg	
2.2	Axle loading, laden front/rear	Kg	
2.3	Axle loading, unladen front/rear	Kg	
3.1	Tyres: solid rubber, superelastic, pneumatic, polyurethane		
3.2	Tyre size, front		
3.3	Tyre size, rear		
3.6	Tread, front	b10 (mm)	
3.7	Tread, rear	b11 (mm)	
4.1	Tilt of mast/fork carriage forward/backward	α/β (°)	
4.2	Height, mast lowered	h1 (mm)	
4.3	Free lift	h2 (mm)	
4.4	Lift	h3 (mm)	
4.5	Height, mast extended	h4 (mm)	
4.7	Height of overhead guard (cabin)	h6 (mm)	
4.8	Seat height/stand height	h7 (mm)	
4.12	Coupling height	h10 (mm)	
4.19	Overall length	l1 (mm)	
4.20	Length to face of forks	l2 (mm)	
4.21	Overall width	b1/b2 (mm)	
4.22	Fork dimensions ISO 2331	s/e/l (mm)	
4.23	Fork carriage ISO 2328, class/type A, B		
4.24	Fork carriage width	b3 (mm)	
4.31	Ground clearance, laden, below mast	m1 (mm)	
4.32	Ground clearance, centre of wheelbase	m2 (mm)	
4.34.1	Aisle width for pallets 1000 x 1200 crossways	Ast (mm)	
4.34.2	Aisle width for pallets 800 x 1200 crossways	Ast (mm)	
4.35	Turning radius	Wa (mm)	
4.36	Internal turning radius	b13 (mm)	
5.1	Travel speed, laden/unladen	km/h	
5.2	Lift speed, laden/unladen	m/s	
5.3	Lowering speed, laden/unladen	m/s	
5.5	Drawbar pull, laden/unladen	N	
5.7	Gradeability, laden/unladen	%	
5.10	Service brake		
7.1	Engine manufacturer/type		
7.2	Engine power according to ISO 1585	kW	
7.3	Rated speed	min-1	
7.4	Number of cylinders/displacement	cm3	
7.5	Fuel consumption at turnover output	l/h or kg/h	
8.1	Type of drive unit		
10.4	Fuel tank, capacity	l	
10.8	Towing coupling, type DIN		

KBG 40 KBG 50

KION BAOLI	KION BAOLI
KBG 40	KBG 50
LPG	LPG
Seated	Seated
4,0	5,0
500	500
562	567
2000	2000
6450	6950
9460/990	10850/1100
2645/3805	2800/4150
PN	PN
300-15-20PR	300-15-20PR
7,00-15-14PR	7,00-12-14PR
1180	1180
1190	1190
6/12	6/12
2390	2390
155	155
3000	3000
4275	4275
2260	2260
1260	1260
390	390
4186	4221
3116	3151
1485	1485
50/140/1070	55/150/1070
A	A
1480	1480
145	145
180	180
4622	4667
4792	4797
2795	2830
922	922
20/22	20/22
0,450/0,480	0,430/0,480
0,380/0,350	0,380/0,350
20/15	22/16
20	20
Mech/Hydr	Mech/Hydr
PSI 4,3L	PSI 4,3L
69,8	69,8
2300	2300
6/4294	6/4294
-	-
Hydrodynamic	Hydrodynamic
80/57	80/57
Pin	Pin

Diesel and LPG trucks

KB 15 - KB 18 - KB 20									
Mast type	H3	Rated Capacity - Load center 500 mm - 1,5 t	Rated Capacity - Load center 500 mm - 1,8 t	Rated Capacity - Load center 500 mm - 2,0 t	H1	H4	H2 without load carriage	H2 with load carriage	Mast angle Front/back
VM Tele	3000	1500	1800	2000	2002	4041	128	128	6/12
	3300	1500	1800	2000	2152	4341	128	128	6/12
	4000	1500	1800	2000	2552	5041	128	128	6/8
	4500	1350	1600	1750	2802	5541	128	128	6/6
	5000	1200	1450	1500	3052	6041	128	128	3/6
VFM 2 stage	3000	1500	1800	2000	2002	4041	1411	1001	6/12
	3500	1500	1800	2000	2152	4541	1561	1151	6/12
	4000	1500	1800	2000	2552	5041	1961	1551	6/8
VFHM triplex	4350	1450	1550	1700	2102	5391	1489	1101	6/6
	4500	1300	1400	1600	2152	5541	1539	1151	6/6
	4700	1180	1200	1400	2217	5741	1604	1216	6/6
	4800	1080	1100	1300	2252	5841	1639	1251	6/6
	5000	1000	1050	1250	2395	6041	1782	1394	6/6
	5400	980	1000	1165	2595	6441	1982	1594	3/6
	5500	950	980	1120	2629	6541	2016	1628	3/6
6000	850	890	1000	2862	7041	2249	1861	3/6	

KB 25									
Mast type	H3	Rated Capacity - Load center 500 mm - 2,5 t	Rated Capacity - Load center 500 mm - 2,5 t Twin tyres	H1	H4	H2 without load carriage	H2 with load carriage	Mast angle Front/back	
VM Tele	3000	2500	2500	2080	4040	140	140	6/12	
	3300	2500	2500	2230	4340	140	140	6/12	
	3500	2500	2500	2330	4540	140	140	6/12	
	4000	2300	2500	2630	5040	140	140	6/8	
	4500	1800	2300	2880	5540	140	140	6/6	
	5000	1300	2200	3130	6040	140	140	3/6	
	5500	1200	1700	3430	6540	140	140	3/6	
VFM 2 stage	3000	2500	2500	2080	4040	1425	1080	6/12	
	3300	2500	2500	2230	4340	1570	1230	6/12	
	3500	2500	2500	2330	4540	1675	1330	6/12	
	4000	2300	2500	2630	5040	1975	1630	6/8	
	4500	1800	2300	2880	5540	2225	1880	6/6	
VFHM triplex	4350	2000	2400	2130	5390	1500	1130	6/6	
	4500	1800	2300	2180	5540	1550	1180	6/6	
	4700	1700	2200	2245	5740	1615	1245	6/6	
	4800	1700	2200	2280	5840	1650	1280	6/6	
	5000	1500	2100	2423	6040	1793	1423	6/6	
	5400	1200	2000	2623	6440	1993	1623	3/6	
	5500	1100	1800	2657	6540	2027	1657	3/6	
6000	800	1600	2890	7040	2260	1890	3/6		

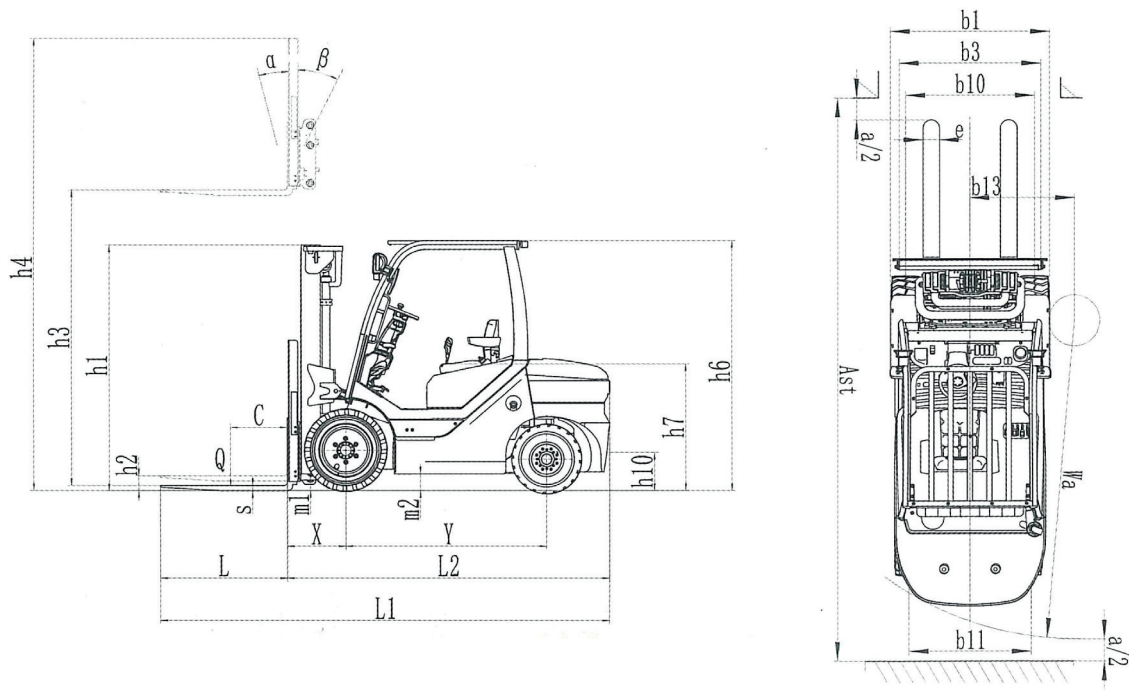
KB 30								
Mast type	H3	Rated Capacity - Load center 500 mm - 3,0 t	Rated Capacity - Load center 500 mm - 3,0 t Twin tyres	H1	H4	H2 without load carriage	H2 with load carriage	Mast angle Front/back
VM Tele	3000	3000	3000	2080	4273	145	145	6/12
	3300	3000	3000	2230	4573	145	145	6/12
	3500	3000	3000	2330	4773	145	145	6/12
	4000	2900	3000	2630	5273	145	145	6/8
	4500	2500	2800	2880	5773	145	145	6/6
	5000	2000	2700	3130	6273	145	145	3/6
VFM 2 stage	3000	3000	3000	2080	4273	1422	852	6/12
	3300	3000	3000	2230	4573	1572	1002	6/12
	3500	3000	3000	2330	4773	1672	1102	6/12
	4000	2900	3000	2630	5273	1972	1402	6/8
	4500	2500	2800	2880	5773	2222	1652	6/6
VFHM triplex	4350	2600	2900	2130	5623	1501	902	6/6
	4500	2450	2800	2180	5773	1551	952	6/6
	4700	2300	2700	2245	5973	1616	1017	6/6
	4800	2200	2700	2280	6073	1651	1052	6/6
	5000	2000	2600	2423	6273	1794	1195	6/6
	5400	1600	2400	2623	6673	1994	1395	3/6
	5500	1600	2250	2657	6773	2028	1429	3/6
	6000	1100	2100	2890	7273	2261	1662	3/6

KB 35								
Mast type	H3	Rated Capacity - Load center 500 mm - 3,5 t	Rated Capacity - Load center 500 mm - 3,5 t Twin tyres	H1	H4	H2 without load carriage	H2 with load carriage	Mast angle Front/back
VM Tele	3000	3500	3500	2230	4273	145	145	6/12
	3300	3500	3500	2380	4573	145	145	6/12
	3500	3500	3500	2480	4773	145	145	6/12
	4000	3200	3400	2780	5273	145	145	6/8
	4500	2600	3000	3030	5773	145	145	6/6
	5000	2100	2850	3280	6273	145	145	3/6
	5500	-	2400	3580	6773	145	145	3/6
VFM 2 stage	3000	3500	3500	2080	4273	1422	852	6/12
	3300	3500	3500	2230	4573	1572	1002	6/12
	3500	3500	3500	2330	4773	1672	1102	6/12
	4000	3200	3400	2630	5273	1972	1402	6/8
	4500	2600	3000	2880	5773	2222	1652	6/6
VFHM triplex	4000	-	-	2005	5273	1376	777	6/6
	4350	3000	3000	2130	5623	1501	902	6/6
	4500	3000	3000	2180	5773	1551	952	6/6
	4700	2500	2900	2245	5973	1616	1017	6/6
	4800	2500	2900	2280	6073	1651	1052	6/6
	5000	2400	2850	2423	6273	1794	1195	6/6
	5400	1750	2500	2623	6673	1994	1395	3/6
	5500	1750	2500	2657	6773	2028	1429	3/6
	6000	1200	2200	2890	7273	2261	1662	3/6
7000	-	2000	-	-	-	-	-	-

Diesel and LPG trucks

KB 40 - KB 50

Mast type	H3	Rated Capacity - Load center 500 mm - 4,0 t	Rated Capacity - Load center 500 mm - 4,0 t Twin tyres	Rated Capacity - Load center 500 mm - 5,0 t	Rated Capacity - Load center 500 mm - 5,0 t Twin tyres	H1	H4	H2 without load carriage	H2 with load carriage	Mast angle Front/back
VM Tele	3000	4000	4000	5000	5000	2390	4275	150	150	6/12
	3300	4000	4000	5000	5000	2540	4575	150	150	6/12
	3500	4000	4000	5000	5000	2640	4775	150	150	6/12
	4000	3800	4000	4600	4600	2940	5275	150	150	6/6
	4500	3500	4000	4500	4800	3190	5775	150	150	6/6
	5000	3100	3700	4000	4600	3440	6275	150	150	6/6
VFM 2 stage	2610	4000	4000	5000	5000	2195	3885	1349	970	6/12
	2700	4000	4000	5000	5000	2240	3975	1394	1015	6/12
	3000	4000	4000	5000	5000	2390	4275	1544	1165	6/12
	3300	4000	4000	5000	5000	2540	4575	1694	1315	6/12
	3500	4000	4000	5000	5000	2640	4775	1794	1415	6/12
	4000	3800	4000	4600	5000	2890	5275	2044	1665	6/12
VFHM triplex	3920	3900	3900	4800	4800	2245	5195	1399	1020	6/6
	4350	3800	3800	4700	4700	2390	5625	1544	1165	6/6
	4500	3500	3500	4500	4500	2441	5775	1595	1216	6/6
	4700	3400	3400	4200	4200	2507	5975	1661	1282	6/6
	4800	3400	3700	4200	4600	2540	6075	1694	1315	6/6
	5000	3000	3600	3800	4500	2640	6275	1794	1415	6/6
	5400	2800	3400	3400	4300	2765	6675	1919	1540	3/6
	6000	2000	3200	2500	4000	3005	7275	2159	1780	3/6



Electric trucks



KBET 15 - 20



KBE 15 - 25



KBE 30 - 35

Electric trucks

1.1	Manufacturer		KION BAOLI	KION BAOLI
1.2	Manufacturer's type designation		KBET 15	KBET 18
1.3	Drive: electric, diesel, petrol, fuel gas		Electric	Electric
1.4	Operator type: hand, pedestrian, standing, seated, order-picker		Seated	Seated
1.5	Rated capacity / Rated load	Q (t)	1,5	1,8
1.6	Load centre distance	c (mm)	500	500
1.8	Load distance, centre of drive axle to fork	x (mm)	365	365
1.9	Wheelbase	y (mm)	1295	1295
2.1	Service weight	Kg	3130	3260
2.2	Axle loading, laden front/rear	Kg	3900/730	4530/530
2.3	Axle loading, unladen front/rear	Kg	1500/1630	1500/1760
3.1	Tyres: solid rubber, superelastic, pneumatic, polyurethane		S/E	S/E
3.2	Tyre size, front		18x7-8	18x7-8
3.3	Tyre size, rear		16x6-8	16x6-8
3.5	Wheels, number front/rear (x = driven wheels)		2x/2	2x/2
3.6	Tread, front	b10 (mm)	890	890
3.7	Tread, rear	b11 (mm)	205	205
4.1	Tilt of mast/fork carriage forward/backward	α/β (°)	5/7	5/7
4.2	Height, mast lowered	h1 (mm)	2005	2005
4.3	Free lift	h2 (mm)	122	122
4.4	Lift	h3 (mm)	3000	3000
4.5	Height, mast extended	h4 (mm)	3945	3945
4.7	Height of overhead guard (cabin)	h6 (mm)	2015	2015
4.8	Seat height/stand height	h7 (mm)	958	958
4.12	Coupling height	h10 (mm)	600	600
4.19	Overall length	l1 (mm)	2850	2850
4.20	Length to face of forks	l2 (mm)	1930	1930
4.21	Overall width	b1/b2 (mm)	1066	1066
4.22	Fork dimensions ISO 2331	s/e/l (mm)	35/120/920	35/120/920
4.23	Fork carriage ISO 2328, class/type A, B		ISO II/A	ISO II/A
4.24	Fork carriage width	b3 (mm)	968	968
4.31	Ground clearance, laden, below mast	m1 (mm)	120	120
4.32	Ground clearance, centre of wheelbase	m2 (mm)	110	110
4.34.1	Aisle width for pallets 1000 x 1200 crossways	Ast (mm)	3241	3241
4.34.2	Aisle width for pallets 800 x 1200 crossways	Ast (mm)	3365	3365
4.35	Turning radius	Wa (mm)	1550	1550
5.1	Travel speed, laden/unladen	km/h	14/15.5	13.5/15
5.2	Lift speed, laden/unladen	m/s	0,300/0,470	0,300/0,470
5.3	Lowering speed, laden/unladen	m/s	0,460/0,420	0,480/0,420
5.8	Max gradeability, laden/unladen	%	20/20	20/20
5.10	Service brake		Electromechanical	Electromechanical
6.1	Drive motor rating S2 60 min	kW	2x6.5	2x6.5
6.2	Lift motor rating at S3 15%	kW	15	15
6.4	Battery voltage/nominal capacity K5	V/Ah	48 / 505/525/595	48 / 505/525/595
6.5	Battery weight	kg	810~920	810~920
10.1	Operating pressure for attachments	bar	160	160
10.7	Sound pressure level at driver's seat	dB (A)	≤75	≤75

KBET 15 KBET 18 KBET 20 KBE 18 KBE 20 KBE 25 KBE 30 KBE 35

KION BAOLI	KION BAOLI	KION BAOLI	KION BAOLI	KION BAOLI	KION BAOLI	KION BAOLI
KBET 20	KBE 15	KBE 18	KBE 20	KBE 25	KBE 30	KBE 35
Electric	Electric	Electric	Electric	Electric	Electric	Electric
Seated	Seated	Seated	Seated	Seated	Seated	Seated
2,0	1,5	1,75	2,0	2,5	3,0	3,5
500	500	500	500	500	500	500
396	404	404	434	434	464	489
1435	1250	1250	1500	1500	1630	1700
3650	3060	3260	3860	4120	4780	5400
4970/680	3880/680	4260/750	5090/770	5760/860	6730/1050	7760/1140
1650/2000	1260/1800	1340/1920	1740/2120	1850/2270	2170/2610	2380/3020
SE	PN	PN	PN	PN	S/E	S/E
200/50-10	6,50-10-10PR	6,50-10-10PR	23X9-10-16PR	23X9-10-16PR	23x9-10	28X9-15
16x6-8	5,00-8-8PR	5,00-8-8PR	18X7-8-14PR	18X7-8-14PR	18x7-8	18x7-8
2x/2	2x/2	2x/2	2x/2	2x/2	2x/2	2x/2
925	890	890	1040	1040	1040	1000
205	920	920	950	950	980	980
5/7	6/12	6/12	6/10	6/10	6/10	6/12
2007	1995	1995	2050	2050	2040	2230
98	122	122	100	100	100	100
3000	3000	3000	3000	3000	3000	3000
4030	4042	4042	4040	4040	4273	4265
2075	2199	2199	2177	2177	2164	2195
1065	1130	1130	1147	1147	1000	1137
630	210	210	232	232	255	270
3112	2960	3010	3360	3405	3559	3719
2042	2040	2090	2290	2335	2489	2649
1120	1090	1090	1265	1265	1265	1250
40/122/1070	35/120/920	35/120/920	40/122/1070	40/122/1070	45/125/1070	50/125/1070
ISO II/A	ISO II/A	ISO II/A	ISO II/A	ISO II/A	ISO III/A	ISO III/A
1040	968	968	1040	1040	1100	1200
114/124	112	112	115	115	105	145
105/110	100	100	140	140	140	160
3360	3498	3548	3754	3804	3894	4049
3485	3698	3748	3954	4004	4094	4249
1640	1894	1944	2120	2170	2230	2360
13/14	13/15	13/15	12/14	12/14	12/14	13/14
0,300/0,400	0,360/0,440	0,360/0,440	0,310/0,420	0,300/0,400	0,280/0,420	0,260/0,430
0,460/0,420	0,410/0,420	0,410/0,420	0,450/0,410	0,450/0,410	0,410/0,330	0,390/0,400
15/18	12/15	12/15	12/15	12/15	10/15	12/15
Electromechanical	Electromechanical	Electromechanical	Electromechanical	Electromechanical	Electromechanical	Electromechanical
2x6.5	8	8	8	8	9	16
15	10	10	15	15	22	22
48 / 625/700	48 / 400/440/480	48 / 400/440/480	48 / 630/700	48 / 630/700	80 / 500/600	80 / 500/600
940/1080	680~820	680~820	1010~1160	1010~1160	1375~1500	1375~1500
125	160	160	160	160	160	180
≤75	≤75	≤75	≤75	≤75	≤75	≤75

Electric trucks

KBET 15 - KBET 18								
Mast type	H3	Rated Capacity - Load center 500 mm - 1,5 t	Rated Capacity - Load center 500 mm - 1,8 t	H1	H4	H2 without load carriage	H2 with load carriage	Mast angle Front/back
VM Tele	2500	1500	1800	1745	3542	140	140	5/7
	2700	1500	1800	1845	3742	140	140	5/7
	3000	1500	1800	2005	4042	140	140	5/7
	3250	1500	1800	2120	4292	140	140	5/7
	3300	1500	1800	2145	4342	140	140	5/7
	3500	1500	1800	2245	4542	140	140	5/7
	4000	1300	1600	2545	5042	140	140	5/7
VFM 2 stage	2500	1500	1800	1745	3542	1250	743	5/7
	2700	1500	1800	1845	3742	1350	843	5/7
	3000	1500	1800	2005	4042	1500	993	5/7
	3300	1500	1800	2145	4342	1650	1143	5/7
	3500	1500	1800	2245	4542	1690	1243	5/7
	4000	1300	1600	2545	5042	1890	1543	5/7
VFHM triplex	4000	1300	1500	1940	5042	1400	938	3/5
	4350	1280	1400	2065	5392	1525	1063	3/5
	4500	1250	1400	2115	5542	1575	1183	3/5
	4700	1250	1300	2185	5742	1645	1183	3/5
	4800	1200	1300	2215	5842	1745	1213	3/5
	5000	1100	1200	2315	6042	1775	1313	3/5
	5400	900	1000	2440	6442	1900	1483	3/5
	5500	750	850	2465	6542	1925	1463	3/5
6000	500	650	2665	7042	2125	1663	3/5	

KBET 20							
Mast type	H3	Rated Capacity - Load center 500 mm - 2,0 t	H1	H4	H2 without load carriage	H2 with load carriage	Mast angle Front/ back
VM Tele	3000	2000	2007	4030	98	98	5/7
	3300	2000	2157	4330	98	98	5/7
	3500	2000	2257	4530	98	98	5/7
	4000	2000	2557	4630	98	98	3/5
VFHM triplex	4000	2000	2000	5034	1349	959	3/5
	4350	2000	2125	5384	1474	1084	3/5
	4500	1950	2175	5532	1524	1134	3/5
	4700	1900	2240	5728	1589	1199	3/5
	5000	1800	2418	6032	1767	1377	3/5
	5400	1700	2618	6432	1967	1577	3/5
	5500	1700	2652	6532	2001	1611	3/5
	6000	1600	2885	7032	2234	1844	3/5

KBE 15 - KBE 18								
Mast type	H3	Rated Capacity - Load center 500 mm - 1,5 t	Rated Capacity - Load center 500 mm - 1,8 t	H1	H4	H2 without load carriage	H2 with load carriage	Mast angle Front/back
VM Tele	2500	1500	1750	1745	3542	162	162	6/12
	2700	1500	1750	1845	3742	162	162	6/12
	3000	1500	1750	1995	4042	162	162	6/12
	3250	1500	1750	2120	4292	162	162	6/12
	3300	1500	1750	2145	4342	162	162	6/12
	3500	1500	1750	2245	4542	162	162	6/12
	3600	1400	1600	2295	4642	162	162	6/12
	3660	1400	1600	2325	4702	162	162	6/12
	3700	1400	1600	2345	4742	162	162	6/12
	3750	1400	1600	2370	4792	162	162	6/12
4000	1400	1600	2545	5042	162	162	6/8	
VFM 2 stage	2500	1500	1750	1745	3542	1225	743	6/12
	2700	1500	1750	1845	3742	1325	843	6/12
	3000	1500	1750	1995	4042	1475	993	6/12
	3250	1500	1750	2120	4292	1600	1118	6/12
	3300	1500	1750	2145	4342	1625	1143	6/12
	3500	1500	1750	2245	4542	1725	1243	6/12
	3600	1400	1600	2295	4642	1775	1293	6/12
	3660	1400	1600	2325	4702	1805	1323	6/12
	3700	1400	1600	2345	4742	1825	1343	6/12
	3750	1400	1600	2370	4792	1850	1368	6/12
VFHM triplex	4000	1300	1508	1930	5040	1400	930	6/6
	4350	1250	1450	2055	5390	1525	1055	6/6
	4500	1200	1400	2105	5540	1575	1105	6/6
	4700	1100	1250	2175	5740	1645	1175	6/6
	4800	1100	1250	2205	5840	1675	1205	6/6
	5000	900	1000	2305	6040	1775	1305	6/6
	5400	600	700	2430	6440	1900	1430	3/6
	5500	500	600	2455	6540	1925	1455	3/6
6000	400	450	2655	7040	2125	1655	3/6	

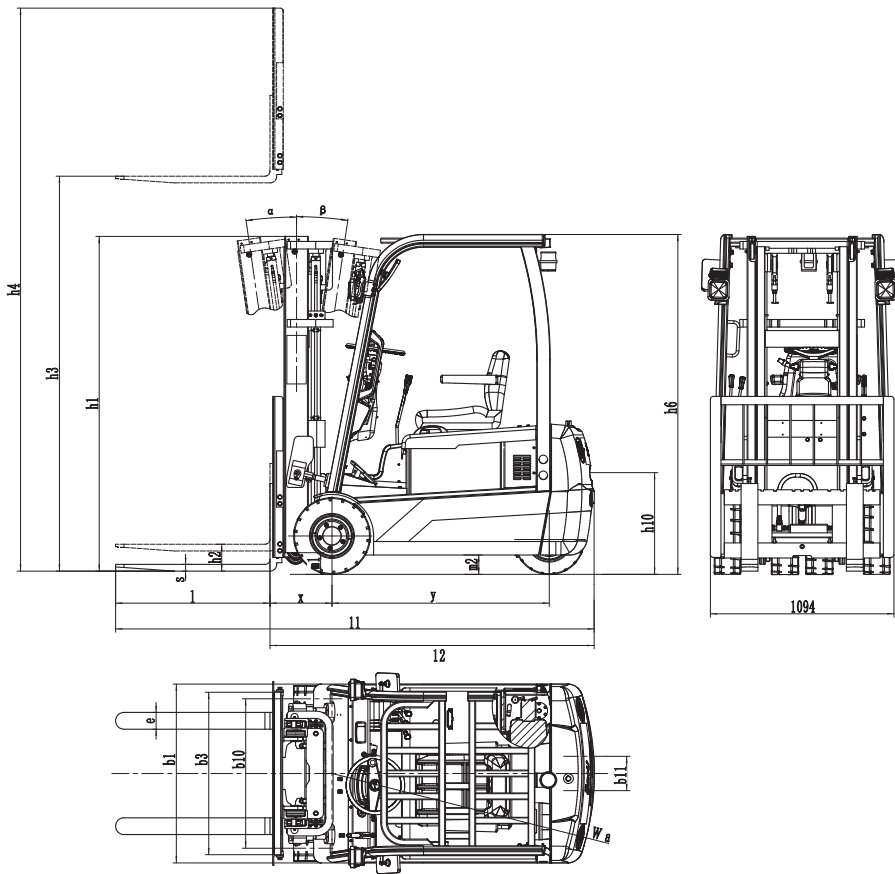
KBE 20 - KBE 25								
Mast type	H3	Rated Capacity - Load center 500 mm - 2,0 t	Rated Capacity - Load center 500 mm - 2,5 t	H1	H4	H2 without load carriage	H2 with load carriage	Mast angle Front/back
VM Tele	2500	2000	2500	1800	3540	140	140	6/12
	3000	2000	2500	2050	4040	140	140	6/12
	3300	2000	2500	2200	4340	140	140	6/12
	3500	2000	2500	2300	4540	140	140	6/12
	3600	2000	2500	2350	4640	140	140	6/12
	4000	1900	2300	2600	5040	140	140	6/8
	4500	1600	1800	2850	5540	140	140	6/8
	5000	1100	1300	3100	6040	140	140	3/6
VFM 2 stage	2500	2000	2500	1800	3540	1210	800	6/12
	2700	2000	2500	1900	3740	1310	900	6/12
	3000	2000	2500	2050	4040	1460	1050	6/12
	3300	2000	2500	2200	4340	1610	1200	6/12
	3500	2000	2500	2300	4540	1710	1300	6/12
	4000	1900	2300	2600	5040	2010	1600	6/8
	4500	1600	1800	2850	5540	2260	1850	6/6
VFHM triplex	3600	1800	2300	1850	4640	1237	850	6/6
	4000	1800	2200	1975	5040	1362	975	6/6
	4350	1700	1900	2100	5390	1487	1100	6/6
	4500	1600	1800	2150	5540	1537	1150	6/6
	4700	1400	1600	2215	5740	1602	1215	6/6
	4800	1400	1600	2250	5840	1637	1250	6/6
	5000	1300	1400	2393	6040	1780	1393	6/6
	5400	1100	1200	2593	6440	1980	1593	3/6
	5500	1100	1100	2627	6540	2014	1627	3/6
6000	600	700	2860	7040	2247	1860	3/6	

Electric trucks

KBE 30							
Mast type	H3	Rated Capacity - Load center 500 mm - 3,0 t	H1	H4	H2 without load carriage	H2 with load carriage	Mast angle Front/ back
VM Tele	2500	3000	1790	3773	145	145	6/10
	2700	3000	1890	3973	145	145	6/10
	3000	3000	2040	4273	145	145	6/10
	3300	3000	2190	4573	145	145	6/10
	3500	3000	2290	4773	145	145	6/10
	3700	3000	2390	4973	145	145	6/10
	4000	2850	2590	5273	145	145	6/8
	4500	2500	2840	5773	145	145	6/6
VFM 2 stage	2500	3000	1790	3773	1127	557	6/10
	2700	3000	1890	3973	1227	657	6/10
	3000	3000	2040	4273	1377	807	6/10
	3300	3000	2190	4573	1527	957	6/10
	3500	3000	2290	4773	1627	1057	6/10
	3700	3000	2390	4973	1727	1157	6/10
	4000	2850	2590	5273	1927	1357	6/8
	4500	2500	2840	5773	2117	1607	6/6
VFHM triplex	4000	2750	1965	5273	1350	732	6/6
	4350	2600	2090	5623	1475	857	6/6
	4500	2400	2140	5773	1525	907	6/6
	4700	2200	2205	5973	1590	972	6/6
	4800	2200	2240	6073	1625	1007	6/6
	5000	2000	2383	6273	1768	1150	6/6
	5400	1500	2583	6673	1968	1350	3/6
	5500	1500	2617	6773	2002	1384	3/6
	6000	1100	2850	7273	2235	1617	3/6

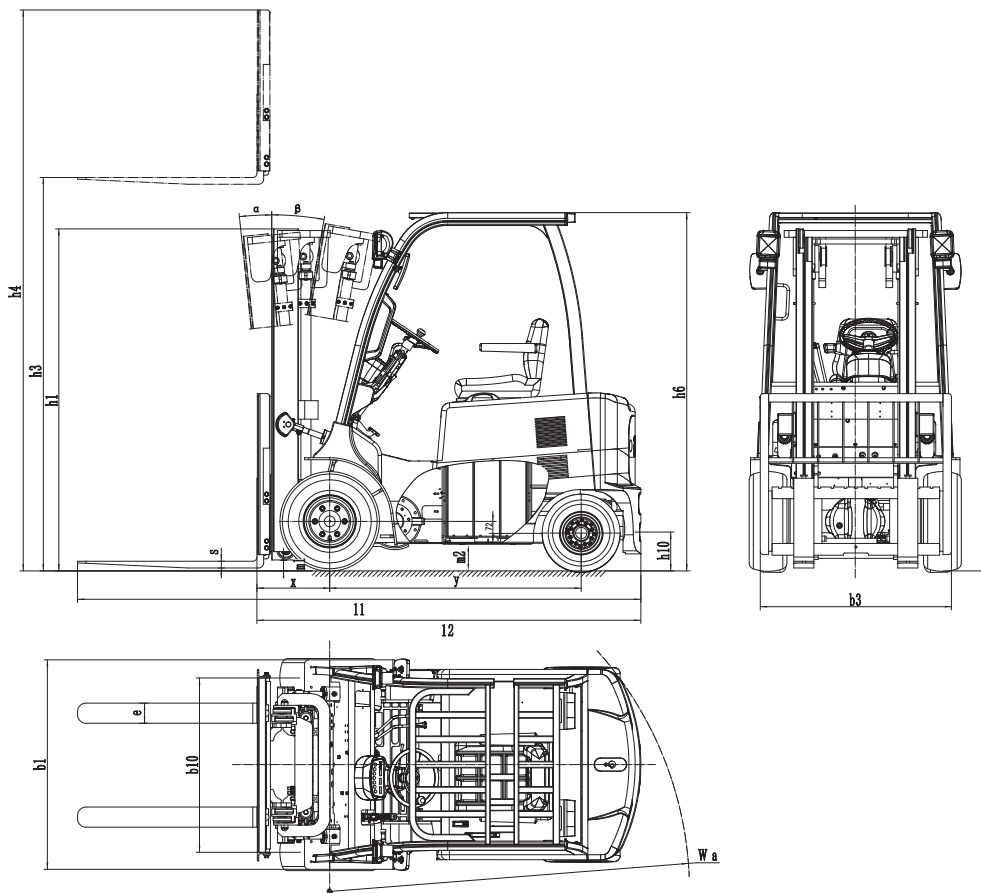
KBE 35							
Mast type	H3	Rated Capacity - Load center 500 mm - 3,5 t	H1	H4	H2 without load carriage	H2 with load carriage	Mast angle Front/ back
VM Tele	2500	3500	1980	3773	145	145	6/12
	2700	3500	2080	3973	145	145	6/12
	3000	3500	2230	4273	145	145	6/12
	3300	3500	2380	4573	145	145	6/12
	3500	3500	2480	4773	145	145	6/12
	4000	3200	2780	5273	145	145	6/8
	4500	2600	3030	5773	145	145	6/6
	5000	2100	3280	6273	145	145	3/6
VFM 2 stage	2500	3500	1830	3773	1172	602	6/12
	2700	3500	1930	3973	1272	702	6/12
	3000	3500	2080	4273	1422	852	6/12
	3300	3500	2230	4573	1572	1002	6/12
	3500	3500	2330	4773	1672	1102	6/12
	4000	3200	2630	5273	1972	1402	6/8
	4500	2600	2880	5773	2222	1652	6/6
VFHM triplex	4000	3200	2005	5273	1246	777	6/6
	4350	3000	2130	5623	1371	902	6/6
	4500	3000	2180	5773	1421	952	6/6
	4700	2500	2245	5973	1486	1017	6/6
	4800	2500	2280	6073	1521	1052	6/6
	5000	2400	2423	6273	1664	1195	6/6
	5400	1750	2623	6673	1864	1395	3/6
	5500	1750	2657	6773	1898	1429	3/6
	6000	1200	2890	7273	2131	1662	3/6

KBET



Electric trucks

KBE



Pallet trucks



EP 15-C



EP 15 City Mover



EP 16-N01 EP 20-N04 EP 25-N02



EP 20-T



EP 25-N01

Pallet trucks

1.1	Manufacturer		KION BAOLI
1.2	Manufacturer's type designation		EP 15-C
1.3	Drive: electric, diesel, petrol, fuel gas		Electric
1.4	Operator type: hand, pedestrian, standing, seated, order-picker		Pedestrian
1.5	Rated capacity / Rated load	Q (t)	1,5
1.6	Load centre distance	c (mm)	600
1.8	Load distance, centre of drive axle to fork	x (mm)	947
1.9	Wheelbase	y (mm)	1270
2.1	Service weight	Kg	165
2.2	Axle loading, laden front/rear	Kg	610/1055
2.3	Axle loading, unladen front/rear	Kg	128/37
3.1	Tyres: solid rubber, superelastic, pneumatic, polyurethane		PU
3.2	Tyre size, front		Ø 230x61
3.3	Tyre size, rear		Ø 80x70
3.4	Additional wheels (dimensions)		-
3.5	Wheels, number front/rear (x = driven wheels)		1x/2 or 4
3.6	Tread, front	b10 (mm)	
3.7	Tread, rear	b11 (mm)	380
4.4	Lift	h3 (mm)	115
4.9	Height drawbar in driving position min/max	h14 (mm)	840/1260
4.15	Height, lowered	h13 (mm)	85
4.19	Overall length	l1 (mm)	1650
4.20	Length to face of forks	l2 (mm)	501
4.21	Overall width	b1/b2 (mm)	540
4.22	Fork dimensions ISO 2331	s/e/l (mm)	48/160/1150
4.25	Distance between fork-arms	b5 (mm)	540
4.32	Ground clearance, centre of wheelbase	m2 (mm)	37
4.34.1	Aisle width for pallets 1000 x 1200 crossways	Ast (mm)	2120
4.34.2	Aisle width for pallets 800 x 1200 crossways	Ast (mm)	-
4.35	Turning radius	Wa (mm)	1450
5.1	Travel speed, laden/unladen	km/h	4,4/4,8
5.2	Lift speed, laden/unladen	m/s	0,032/0,045
5.3	Lowering speed, laden/unladen	m/s	0,030/0,030
5.8	Max gradeability, laden/unladen	%	3,5/20
5.10	Service brake		Motor braking + Electric parking brake
6.1	Drive motor rating S2 60 min	kW	0,5
6.2	Lift motor rating at S3 15%	kW	0,8
6.3	Battery according to DIN 43531/35/36 A, B, C, no		No
6.4	Battery voltage/nominal capacity K5	V/Ah	48/20
6.5	Battery weight	kg	30
6.6	Energy consumption according to VDI cycle	kWh/h	
8.1	Type of drive unit		AC
10.7	Sound pressure level at driver's seat	dB (A)	<60

EP 15-C EP 15 City Mover
EP 16-N01 EP 20-N04 EP 25-N02 EP 20-T EP 25-N01

KION BAOLI	KION BAOLI	KION BAOLI	KION BAOLI	KION BAOLI	KION BAOLI
EP 15-City	EP 16-N01	EP 20-N04	EP 25-N02	EP 20-T	EP 25-N01
Electric	Electric	Electric	Electric	Electric	Electric
Pedestrian	Pedestrian	Pedestrian	Pedestrian	Pedestrian	Pedestrian
1,5	1,6	2,0	2,5	2,0	2,5
600	600	600	600	600	600
965	892	892	892	975	965
1280	1261	1327	1541	1400	1595
205	445	535	720	580	950
623/1152	715/1330	855/1680	1020/2200	1040/1540	1370/2080
210/65	345/100	412/120	530/190	480/100	730/220
PU	PU	PU	PU	PU	PU
Ø 210x70	Ø 230x70	Ø 230x70	Ø 230x70	Ø 230x70	Ø 250x82
Ø 85x70	Ø 84x84	Ø 84x84	Ø 84x84	Ø 85x70	Ø 82x82
-	Ø100x40	Ø100x40	Ø100x40	Ø100x40	Ø124x60
1x/2 or 4	1x+2/4	1x+2/4	1x+2/4	1+2/4	1x+2/4
-	510	510	510	500	530
395/520	367/512	367/512	367/512	395/520	367/512
120	125	125	125	205	120
850/1280	820/1335	820/1335	820/1335	1070/1390	1005/1445
85	85	85	85	85	85
1685	1670	1735	1950	1900/2255	2122
535	520	595	810	750/1105	971
685	729	729	729	730	790
51/165/1150	60/173/1150	60/173/1150	60/173/1150	50/165/1150	60/173/1150
685	540/685	540/685	540/685	560/685	540/685
35	25	25	25	25	25
2158	1885	1955	2175	-	-
-	1935	2005	2225	2350	2410
1490	1440	1490	1750	1740	1980
3,5/4	6,0/6,0	6,0/6,0	5,5/6,0	4/7,5	9,5/12,5
0,039/0,046	0,025/0,035	0,022/0,030	0,035/0,045	0,034/0,046	0,038/0,058
0,046/0,040	0,035/0,030	0,035/0,035	0,040/0,040	0,052/0,049	0,050/0,048
-	8/15	8/15	8/15	6/10	8/15
Electromagnetic	Electromagnetic	Electromagnetic	Electromagnetic	Electromagnetic	Electromagnetic
0,75	1,3	1,3	1,7	1,5	2,7
0,8	0,8	0,8	2,2	0,8	2,2
No	2VBS	2PzS	3PzS	No	B, 3PzS
2 x 12/100	24/160	24/210	24/350	24/210	24/375
70	150	215	285	220/178	300
-	0,44	0,39	0,82	0,03	1,75
DC	AC	AC	AC	AC	AC
~ 75	67	69	65	<70	69

Stacker



ES 10-N01



ES 12-N03 ES 16-N02



ES 12-N02 ES 15-N01



ES 15-N02

Stacker

1.1	Manufacturer		KION BAOLI
1.2	Manufacturer's type designation		ES 10-N01
1.3	Drive: electric, diesel, petrol, fuel gas		Electric
1.4	Operator type: hand, pedestrian, standing, seated, order-picker		Pedestrian
1.5	Rated capacity / Rated load	Q (t)	1,0
1.6	Load centre distance	c (mm)	600
1.8	Load distance, centre of drive axle to fork	x (mm)	800
1.9	Wheelbase	y (mm)	1281
2.1	Service weight	Kg	510
2.2	Axle loading, laden front/rear	Kg	580/930
2.3	Axle loading, unladen front/rear	Kg	385/125
3.1	Tyres: solid rubber, superelastic, pneumatic, polyurethane		PU
3.2	Tyre size, front		Ø 220x70
3.3	Tyre size, rear		Ø 80x93
3.4	Additional wheels (dimensions)		Ø124x60
3.5	Wheels, number front/rear (x = driven wheels)		1x+1/2
3.6	Tread, front	b10 (mm)	529
3.7	Tread, rear	b11 (mm)	420/535
4.2	Height, mast lowered	h1 (mm)	1950
4.3	Free lift	h2 (mm)	70
4.4	Lift	h3 (mm)	2840
4.5	Height, mast extended	h4 (mm)	3325
4.9	Height drawbar in driving position min/max	h14 (mm)	785/1300
4.15	Height, lowered	h13 (mm)	85
4.19	Overall length	l1 (mm)	1800
4.20	Length to face of forks	l2 (mm)	632
4.21	Overall width	b1/b2 (mm)	800
4.22	Fork dimensions ISO 2331	s/e/l (mm)	60/150/1150
4.25	Distance between fork-arms	b5 (mm)	570/685
4.32	Ground clearance, centre of wheelbase	m2 (mm)	29
4.34.1	Aisle width for pallets 1000 x 1200 crossways	Ast (mm)	2318
4.34.2	Aisle width for pallets 800 x 1200 crossways	Ast (mm)	2250
4.35	Turning radius	Wa (mm)	1485
5.1	Travel speed, laden/unladen	km/h	4,3/4,5
5.2	Lift speed, laden/unladen	m/s	0,110/0,160
5.3	Lowering speed, laden/unladen	m/s	0,130/0,110
5.8	Max gradeability, laden/unladen	%	5/10
5.10	Service brake		Electromagnetic
6.1	Drive motor rating S2 60 min	kW	0,45
6.2	Lift motor rating at S3 15%	kW	2,2
6.3	Battery according to DIN 43531/35/36 A, B, C, no		No
6.4	Battery voltage/nominal capacity K5	V/Ah	2x12/85
6.5	Battery weight	kg	2x25
6.6	Energy consumption according to VDI cycle	kWh/h	0,73
8.1	Type of drive unit		DC
10.7	Sound pressure level at driver's seat	dB (A)	<70

ES 10-N01 ES 12-N03 ES 16-N02 ES 12-N02 ES 15-N01 ES 15-N02

KION BAOLI	KION BAOLI	KION BAOLI	KION BAOLI	KION BAOLI	KION BAOLI
ES 12-N03	ES 16-N02	ES 12-N02	ES 15-N01	ES 15-N02 2 stage mast	ES 15-N02 3 stage mast
Electric	Electric	Electric	Electric	Electric	Electric
Pedestrian	Pedestrian	Pedestrian	Pedestrian	Pedestrian	Pedestrian
1,2	1,6	1,2	1,5	1,5	1,5
600	600	600	600	600	600
647	647	684	684	765	765
1248	1293	1196	1235	1405	1520
1007	1340	960	1035	1095	1596
684/1523	930/2010	830/1330	880/1655	1165/1430	1345/1663
610/397	850/490	730/230	780/255	735/360	955/553
PU	PU	PU	PU	PU	PU
Ø 230x70	Ø 230x70	Ø 252x88	Ø 252x88	Ø 230x75	Ø 230x75
Ø 85x75	Ø 85x75	Ø 80x70	Ø 80x70	Ø 80x70	Ø 80x70
Ø150x54	Ø150x54	Ø150x54	Ø150x54	Ø124x60	Ø124x60
1x+1/4	1x+1/4	1x+2/4	1x+2/4	1x+2/4	1x+2/4
522	522	686	686	570	750
390/505	390/505	390/505	390/505	390/505	390/505
2308	2108	2096	1946	1950	2220
1760	1520	120	150	150	1660
3530	4530	3200	2900	2865	4965
4088	5088	3975	3675	3370	5520
850/1385	850/1385	985/1420	985/1420	1370/945	1370/945
90	90	81	81	85	85
1919	1964	1846/1946	1883/1983	2050	2180
769	814	695/795	733/833	900	1030
820	820	910	910	795	1000
60/180/1150	60/180/1150	60/180/1150	60/180/1150	60/180/1150	60/180/1150
570/685	570/685	570/685	570/685	570/685	570
28	28	26	21	25	25
2336	2406	2320/2420	2360/2460	2519	2645
2456	2393	2215/2315	2250/2350	2466	2592
1440	1510	1400/1500	1440/1540	1674	1806
6,0/6,0	5,7/6,0	6,0/6,0	6,0/6,0	6,0/6,0	6,0/6,0
0,090/0,140	0,130/0,200	0,105/0,150	0,105/0,150	0,082/0,150	0,141/0,212
0,180/0,120	0,250/0,170	0,130/0,110	0,130/0,110	0,095/0,100	0,227/0,178
6/12	6/12	6/12	6/12	6/12	6/12
Electromagnetic	Electromagnetic	Electromagnetic	Electromagnetic	Electromagnetic	Electromagnetic
1,3	1,3	1,3	1,3	1,3	1,3
1,5	3,2	2,2	3	2,2	3
2VBS	3VBS	No, cells 3PzS	No, cells 3PzS	B, 2PzS	B, 3PzS
24/180	24/270	24/210	24/210	24/210	24/350
175	230	210	210	217	288
0,95	1,59	1,4	1,4	-	2,36
AC	AC	AC	AC	AC	AC
<70	<70	<70	<70	<70	<70

Stacker

ES 10-N01			
Mast	2 stages 2900mm	Single stage 1600mm	2 stages 3500mm
H1	1950	1950	2250
H2	70	1530	70
H3	2840	1530	3440
H4	3325	1950	3925

ES 12-N02							
Mast	Single stage 1600mm	2 stages 2600mm	2 stages 2900mm	2 stages with free lift 2900mm	2 stages 3200mm	2 stages with free lift 3200mm	2 stages 3600mm
H1	1976	1796	1946	1946	2096	2096	2296
H2	1519	120	120	1484	120	1634	120
H3	1600	2600	2900	2900	3200	3200	3600
H4	2375/1976	3375/2996	3675/3296	3675/3281	3975/3596	3975/3581	4375/3996

ES 12-N03						
Mast	2 stages 2900mm	2 stages 3200mm	2 stages 3600mm	2 stages with free lift 2900mm	2 stages with free lift 3200mm	2 stages with free lift 3600mm
H1	1958	2108	2308	1958	2108	2308
H2	-	-	-	1410	1560	1760
H3	2830	3130	3530	2830	3130	3530
H4	3380	3680	4080	3380	3680	4080
H3 + H13	2920	3220	3620	2920	3220	3620

ES 15-N01				
Mast	2 stages 2900mm	2 stages with free lift 2900mm	3 stages 3400mm	3 stages with free lift 3400mm
H1	1946	1946	1726	1726
H2	150	1484	-	1120
H3	2900	2900	3400	3400
H4	3675/3281	3675/3281	4175/3939	4175/3925

ES15-N02 battery 210 Ah					
Mast	2 stages 2900mm	2 stages with free lift 2900mm	2 stages 3600mm	2 stages with free lift 3600mm	2 stages 4000mm
H1	1950	1950	2300	2300	2500
H2	150	1480	150	1830	150
H3	2865	2865	3565	3565	3965
H4	3370	3370	4070	4070	4470

ES 15-N02 battery 350 Ah					
Mast	3 stages with free lift 4300mm	3 stages with free lift 4600mm	3 stages with free lift 5000mm	3 stages with free lift 5500mm	3 stages with free lift 6000mm
H1	1980	2080	2220	2475	2740
H2	1420	1520	1660	1875	2100
H3	4265	4565	4965	5465	5965
H4	4865	5115	5520	6060	6600

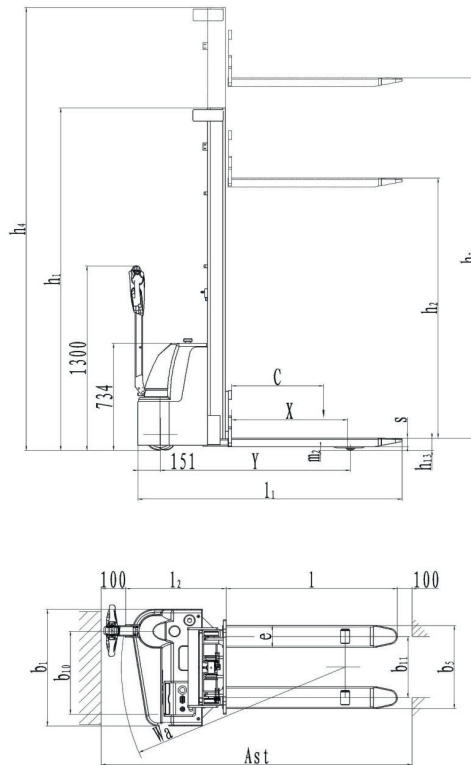
ES 16-N02										
Mast	2 stages 2900mm	2 stages 3200mm	2 stages 3600mm	2 stages with free lift 2900mm	2 stages with free lift 3200mm	2 stages with free lift 3600mm	3 stages 4300mm	3 stages 4600mm	3 stages with free lift 4300mm	3 stages with free lift 4600mm
H1	1958	2108	2308	1958	2108	2308	2008	2108	2008	2108
H2	-	-	-	1410	1560	1760	-	-	1420	1520
H3	2830	3130	3530	2830	3130	3530	4230	4530	4230	4530
H4	3380	3680	4080	3380	3680	4080	4780	5080	4780	5080
H3 + H13	2920	3220	3620	2920	3220	3620	4320	4620	4320	4620

Stacker

ES 12-N03 2900 mm			ES 12-N03 3200 mm			ES 12-N03 3600 mm			ES 16-N02 2900 mm			ES 16-N02 3200 mm		
h3 (mm)	Q (kg)		h3 (mm)	Q (kg)		h3 (mm)	Q (kg)		h3 (mm)	Q (kg)		h3 (mm)	Q (kg)	
2900	1000	800	3200	800	600	3600	600	400	2900	1400	1100	3200	1200	900
2500	1200	1000	2900	1000	800	3200	800	600	2500	1600	1200	2900	1400	1100
			2500	1200	1000	2900	1000	800				2500	1600	1200
c (mm)	600	700	c (mm)	600	700	c (mm)	600	700	c (mm)	600	700	c (mm)	600	700

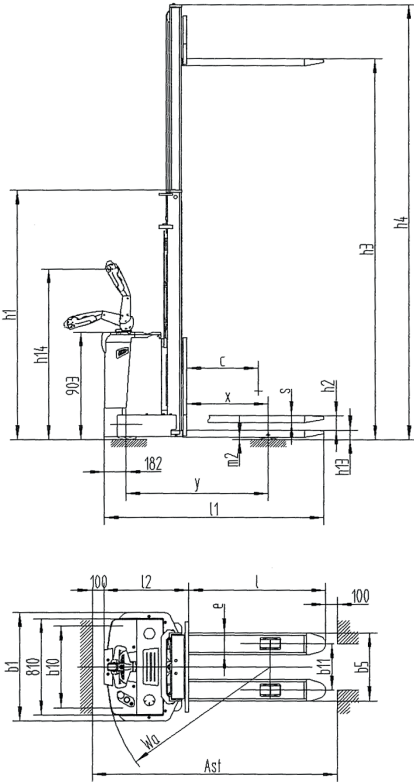
ES 16-N02 3600 mm			ES 16-N02 4000			ES 16-N02 4300			ES 16-N02 4600		
h3 (mm)	Q (kg)		h3 (mm)	Q (kg)		h3 (mm)	Q (kg)		h3 (mm)	Q (kg)	
3600	1000	700	4000	950	650	4300	900	600	4600	800	500
3200	1200	900	3600	1000	700	3600	1000	700	4300	900	600
2900	1400	1100	3200	1200	900	3200	1200	900	3600	1000	700
2500	1600	1200	2900	1400	1100	2900	1400	1100	3200	1200	900
			2500	1600	1200	2500	1600	1200	2900	1400	1100
c (mm)	600	700	c (mm)	600	700	c (mm)	600	700	c (mm)	600	700

ES 10

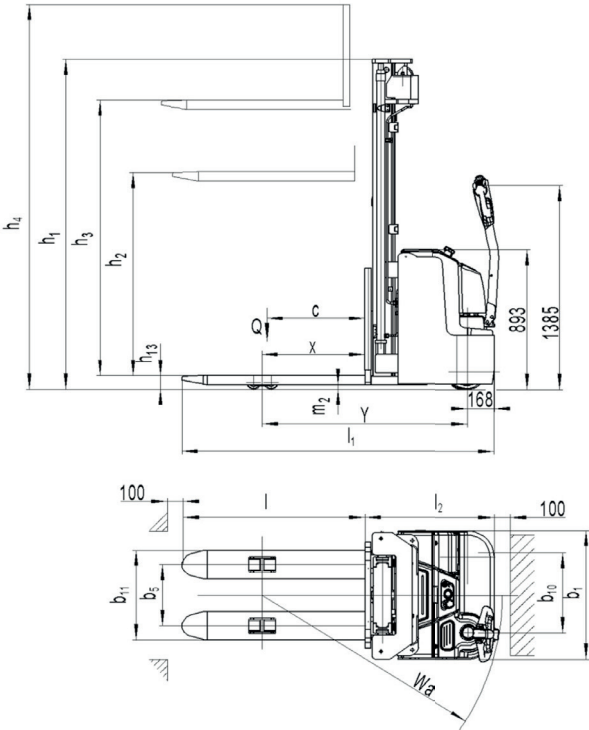


ES 10-N01 ES 12-N03 ES 16-N02 ES 12-N02 ES 15-N01 ES 15-N02

ES 12-15



ES 12-N03 ES 16-N02



CONTACT US:

Baoli EMEA

Viale De Gasperi, 7

I-20020 Lainate (MI) - Italy

Telephone: +39 02 93765-1

Fax: +39 02 93765-450