

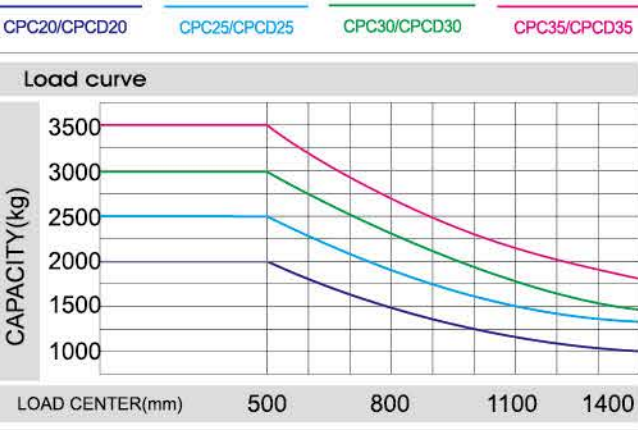
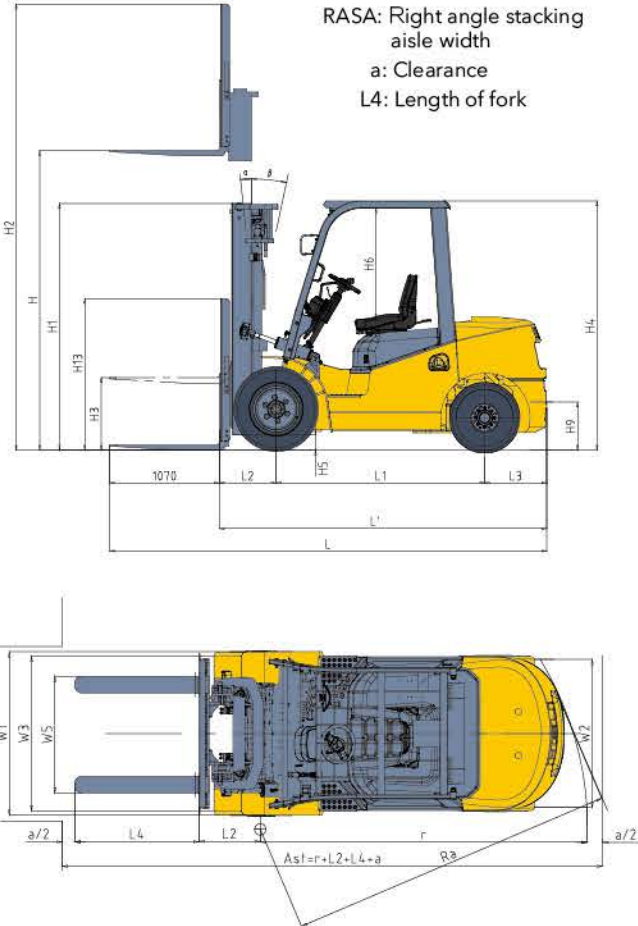
# 2-3.5t

## K2C series Internal Combustion Counterbalanced Forklift Truck



### Manufacturer and technical parameters

Characteristics		ANHUI HELICO, LTD																	
1.01	Manufacturer																		
1.02	Model	CPC20	CPCD20	CPC25	CPCD25	CPC30	CPCD30	CPC35	CPCD35	CPC20	CPCD20	CPC25	CPCD25	CPC30	CPCD30	CPC35	CPCD35		
1.03	Rated capacity	kg	2000	2000	2500	2500	3000	3000	3500	3500	2000	2000	2500	2500	3000	3000	3500	3500	
1.04	Load center	mm	500																
1.05	Driving mode	Diesel																	
1.06	Power type	Seat-type																	
Dimensions																			
2.01	Lifting height (standard)	H	3000																
2.02	Mast overall height (Fork to the ground and mast be vertical)	H1	2000							2070									2120
2.03	Max.fork lifting height(With backrest)	H2	4030							4217									4217
2.04	Free lift height	H3	150							155									160
2.05	Overall height(Overhead guard)	H4	2170							2190									2190
2.06	Min.ground clearance(At the mast)	H5	115							135									135
2.07	Distance from the surface of the seat to the overhead guard	H6	1075							1075									1075
2.08	Traction pin height	H9	290							310									310
2.09	Backrest height (Calculated from the surface of the fork)	H13	1000							1182									1177
2.10	Overall length(With fork/Without fork)	(L/L')	mm	3460/2390	3680/2610					3819/2740	3827/2754								3460/2390
2.11	Wheel base	L1	mm	1650	1650					1750	1750								1750
2.12	Front overhang	L2	mm	465	465					479	484								484
2.13	Rear overhang	L3	mm	425	425					520	520								520
2.14	Overall width	W1	mm	1160	1160					1225	1225								1225
2.15	Tread (Front tread/Rear tread)	(W3/W2)	mm	970/970				1000/970				970/970				1000/970			
2.16	Fork adjustable range (the external of the fork)(Max./Min.)	W5	mm	1030/244	1030/244					1060/250	1060/250								1030/244
2.17	Min.turning radius(Exterior)	r	mm	2215	2270					2400	2400								2400
2.18	Min.turning radius(Interior)	r'	mm	35	35					80	80								80
2.19	Min.right angle stacking aisle width	Ra	mm	2235	2290					2360	2360								2360
2.20	Mast tilting angle (forward /rear)	α / β	deg.	6°/12°	6°/12°					6°/12°	6°/12°								6°/12°
2.21	Fork size	L4xW4T	mm	920x122x40	1070x122x40					1070x125x45	1070x125x50								1070x125x45
Performance																			
3.01	Max.Traveling Speed (Loaded/Unloaded)	km/h	18/19	18/19						18/19	18/19								19/20
3.02	Lifting Speed (Loaded/Unloaded)	mm/s	455/480	400/420						455/480	400/420								455/480
3.03	Lowering Speed (Loaded/Unloaded)	mm/s	450/500	450/500						450/500	450/500								450/500
3.04	Max.Drawbar Pull (Loaded/Unloaded)	kN	16.5/14	16.5/14	19.5/12	19.5/12	20/17	20/17	21.5/14	21.5/14	16.2/12.5	16.2/12.5	19.3/11.7	19.3/11.7	19.5/16	19.5/16	21.4/13.9	21.4/13.9	21.4/13.9
3.05	Max.Gradeability (Loaded/Unloaded)	%	18/29	27/32	16/28	26/28	15/23	20/24	15/23	22/24	18/29	26/32	15/27	26/27	13/22	19/24	14/22	22/23	22/23
Weight																			
4.01	Total Weight	kg	3300	3645						4265	4550								4265
4.02	Weight Distribution Loaded (Front/Rear)	kg	4714/586	5433/712						6424/841	7240/810								6424/841
4.03	Weight Distribution Unloaded (Front/Rear)	kg	1544/1756	1470/2175						1745/2520	1771/2779								1745/2520
Wheel and Tyre																			
5.01	Wheel Number x = Drive Wheel (Front/Rear)	2X/2																	
5.02	Tyre Type(Front/Rear)	Pneumatic Tyre																	
5.03	Tyre Size(Front/Rear)	7.00-12-12PR/6.00-9-10PR				28x9-15-14PR/6.5-10-10PR				7.00-12-12PR/6.00-9-10PR				28x9-15-14PR/6.5-10-10PR					
5.04	Service Brake	Hydraulic-Foot Pedal																	
5.05	Parking Brake	Mechanical-Hand Lever																	
Drive and Transmission Control Device																			
6.01	Battery(Voltage/Capacity)	V/Ah	12/80																
6.02	Engine Mode	MITSUBISHI S4S																	
6.03	Engine Rated Power	kW/rpm	34.4/2250				35.4/2500				44.9/2450								
6.04	Engine Rated Torque	Nm/rpm	165/1700				139.9/1800				186.3/1600-1800								
6.05	Engine Cylinder Number-Borexstroke	4-9x120																	
6.06	Engine Displacement	L	3.331																
6.07	Engine Fuel Tank Capacity	L	70																
6.08	Emission	CHINA Stage 3/Euro Stage 3A																	
6.09	Transmission Box Shifting Gears(Front/Rear type)	1-1Power Shift T/M / 2-2 Manual Shift T/M																	



**Note:**  
 The vertical axis stands for load capacity and the horizontal axis stands for load center which is calculated from the front of the fork. The base point of the standard load refers to the center position of the cube with 1000mm length of side. When mast is tilted forward, nonstandard fork usage or load with over wide goods, load capacity will be reduced. Different load capacity in different load center can be known in time through load chart.

Engine Model and Main Specification for Option				
Engine model	Rated power/ rotating speed (Kw/rpm)	Rated power/ rotating speed (Nm/rpm)	Engine displacement (L)	Internal Combustion Engine Number of Cylider
XIN CHANG A498 (EU IIIA)	36.8/2400	176/1600-1800	3.168	4
XIN CHANG C490BGP-200	40/2650	160/1800-2000	2.67	4

WIDE VIEW MAST														
Mast model	Max. lifting height mm	Load capacity (load center 500mm)(kg)				Mast overall height (fork to the ground)(mm)			Service weight(kg)				Mast tilting angle (°) α / β	
		2t	2.5t	3t	3.5t	2-2.5t	3t	3.5t	2t	2.5t	3t	3.5t		
M200	2000	2000	2500	3000	3500	1500	1570	1620	3225	3560	4175	4455	6/12	
M250	2500	2000	2500	3000	3500	1750	1820	1870	3270	3610	4225	4505	6/12	
M300	3000	2000	2500	3000	3500	2000	2070	2120	3300	3645	4265	4550	6/12	
M330	3300	2000	2500	3000	3500	2150	2220	2270	3345	3680	4300	4590	6/12	
M350	3500	2000	2500	3000	3500	2250	2320	2370	3365	3700	4320	4610	6/12	
M370	3700	2000	2500	3000	3500	2350	2420	2470	3380	3715	4340	4630	6/12	
M400	4000	2000	2500	3000	3500	2550	2620	2670	3450	3790	4415	4710	6/12	
M425	4250	1900*2000	2250*2500	2850*3000	3200*3500	2675	2745	2795	3475	3815	4440	4740	6/12	
M450	4500	1800*1900	2150*2400	2750*3000	3000*3050	2800	2870	2920	3495	3835	4465	4765	6/12	
M500	5000	1600*1700	1650*2200	2400*2850	2500*2850	3050	3120	3170	3540	3880	4515	4815	6/12	
M550	5500	*1600	*1950	*2400	*2500	3350	3420	3470	3630	3970	4605	4915	*3/6	
M600	6000	*1500	*1800	*2200	*2300	3600	3670	3720	3675	4015	4655	4970	*3/6	

Note: (1) \*stands for the rated capacity when the front tyre is double-tyre. (2) When the front tyre of the 2-3.5t truck is double tyre, the service weight of the truck is the weight in the table plus 110kg.

WIDE VIEW FULL FREE 2-STAGE MAST																		
Mast model	Max. lifting height mm	Load capacity (load center 500mm)(kg)				Mast overall height (fork to the ground)(mm)			Free lifting height (with backrest)(mm)			Service weight (kg)				Mast tilting angle (°) α / β		
		2t	2.5t	3t	3.5t	2-2.5t	3t	3.5t	2-2.5t	3t	3.5t	2t	2.5t	3t	3.5t			
ZM200	2000	2000	2500	3000	3500	1500	1570	1620	500	340	453	3260	3560	4210	4485	6/12		
ZM250	2500	2000	2500	3000	3500	1750	1820	1870	750	590	693	3310	3645	4060	4535	6/12		
ZM300	3000	2000	2500	3000	3500	2000	2070	2120	1000	840	943	3360	3700	4310	4640	6/12		
ZM330	3300	2000	2500	3000	3500	2150	2220	2270	1150	990	1093	3390	3730	4340	4620	6/12		
ZM350	3500	2000	2500	3000	3500	2250	2320	2370	1250	1090	1193	3410	3745	4360	4640	6/12		
ZM370	3700	2000	2500	3000	3500	2350	2420	2470	1350	1190	1293	3430	3765	4380	4660	6/12		
ZM400	4000	2000	2500	3000	3500	2550	2620	2670	1550	1390	1493	3505	3845	4460	4735	6/12		
ZM425	4250	1900	2250	2850	3100	2675	2745	2795	1675	1515	1618	3530	3870	4485	4760	6/12		
ZM450	4500	*1800	*2150	*2750	*3000	2800	2870	2920	1800	1640	1743	3560	3895	4515	4790	6/12		
ZM500	5000	*1600	*1650	*2400	*2500	3050	3120	3170	2050	1890	1993	3610	3945	4565	4845	6/12		
ZM550	5500	*1600	*1950	*2450	*2500	3350	3420	3470	2350	2190	2293	3705	4045	4665	4945	*3/6		
ZM600	6000	*1500	*1800	*2200	*2300	3600	3670	3720	3500	2440	2543	3755	4095	4720	4995	*3/6		

Note: (1) \*stands for the rated capacity when the front tyre is double-tyre. (2) When the front tyre of the 2-3.5t truck is double tyre, the service weight of the truck is the weight in the table plus 110kg.

WIDE VIEW FULL FREE 3-STAGE MAST																		
Mast model	Max. lifting height mm	Load capacity (load center 500mm)(kg)				Mast overall height (fork to the ground)(mm)			Free lifting height (with backrest)(mm)			Service weight (kg)				Mast tilting angle (°) α / β		
		2t	2.5t	3t	3.5t	2-2.5t	3t	3.5t	2-2.5t	3t	3.5t	2t	2.5t	3t	3.5t			
ZSM360	3600	2000	2400	2900	3250	1800	1870	1870	800	640	690	3495	3835	4470	4705	6/6		
ZSM400	4000	1900	2400	2900	3250	1950	2020	2020	950	790	840	3540	3875	4510	4750	6/6		
ZSM435	4350	*1850	*2200	*2850	*2900	2050	2120	2120	1050	890	940	3570	3920	4540	4775	6/6		
ZSM450	4500	*1900	*2150	*2750	*3000	2100	2170	2170	1100	940	990	3580	3965	4555	4790	6/6		
ZSM470	4700	*1720	*2000	*2650	*2700	2165	2230	2230	1165	1000	1050	3600	4005	4560	4800	6/6		
ZSM480	4800	*1900	*19															